

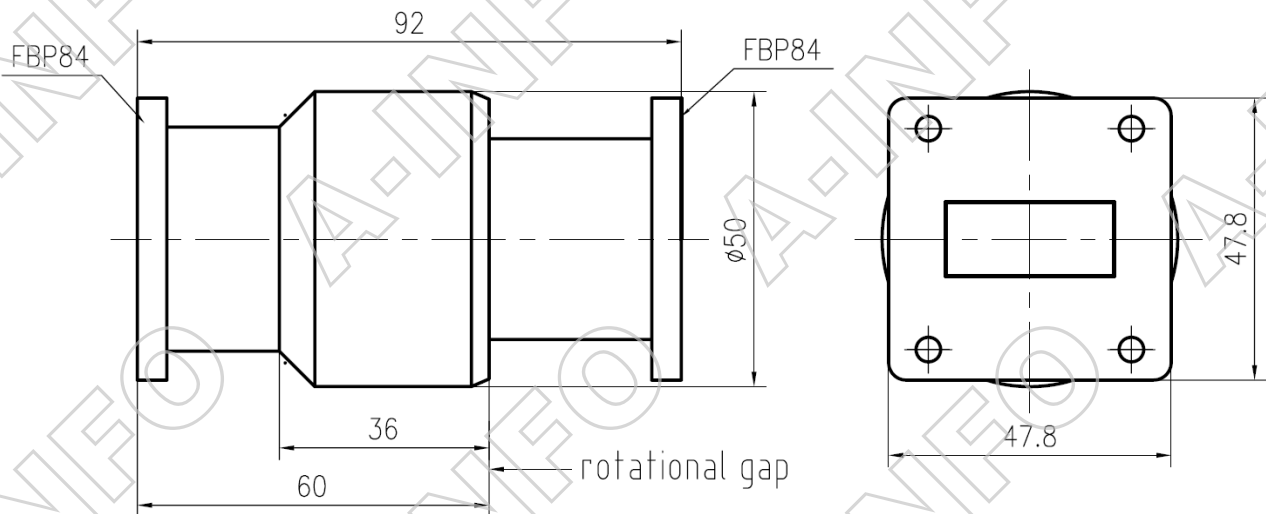
Technical Specification



Frequency Range(GHz)	8.5 - 10.0
Waveguide	WR112
VSWR	1.25 max
Insertion Loss(dB)	0.3 max
Average Power(W)	400
Peak Power(KW)	150
Flange	FBP84
Material	Al
Net Weight(Kg)	0.35 Around

The picture is for reference only.

Outline Drawing (Size: mm)



Test Results

Insertion Loss & VSWR

CH1 S11 SWR 25.0 m / REF 1 5: 1.1561
 CH2 S21 LOG 3 dB / REF 0 dB 5: -.15000 dB
 CH4 S22 SWR 25.0 m / REF 1 5: 1.2365 3.347 5.000 0.00 GHz

